

## Pneumatic Stapler Type 14/38-152

The BeA Pneumatic Stapler 14/38-152 is a versatile tool that drives staples type 14 in length from 15 to 40 mm, type 16 (155) from 25 to 40 mm, as well as T-nails in length from 13 to 38 mm. This durable and compact tool offers powerful driving of staples not only in industrial applications but also for workman.



### Popular applications:

Furniture, boxes, paletts, framing, insulation, corrugated to wood, asphalt shingles.

Length:	263 mm
Width:	70 mm
Height:	248 mm

### Technical data

Type description:	<b>14/38-152</b> Contact
Article code:	12000174
Magazine type :	Top loader
Safety:	Contact actuation
Fastener type:	Type 14 / Type 16 (155) / T-nails
Magazine capacity:	120 / 110 / 82
Fasteners per strip:	1 x 75 / 1 x 70 / 2 x 33
Operating pressure:	6 – 8 bar
Max. operating pressure:	8 bar
Air consumption/operation:	1.5 litre / 6 bar
Inner hose diameter:	Ø 9 mm LW recommended
Emission sound pressure level at the workstation:	L pA, 1s, d= 79 dB
Single-shot emission sound pressure level:	L WA, 1 s,d= 87 dB
Weight:	2.5 kg

The vibration as per document no. CEN/TC 255 WG 1 N 47.3 is 4m/s<sup>2</sup>.

**Extras supplied with the nailer:** Operating instructions, spare parts list, service instructions, silencer.

Subject to technical modifications.

### Accessories:

Article code	Description
14400891	High-adjustable stop
14400842	Adjustable roller edge guide
14400872	Spring clip attachment
14406201	Single actuation set
14401028	Set for metal sheet roof connection
14403442	Mounting flange
14403402	Remote valve, compl.

BeA pneumatic tools can be jig-mounted  
We supply the necessary accessories and equipments.



This tool conforms to the EG Directive  
for Machinery (89/392 EWG)

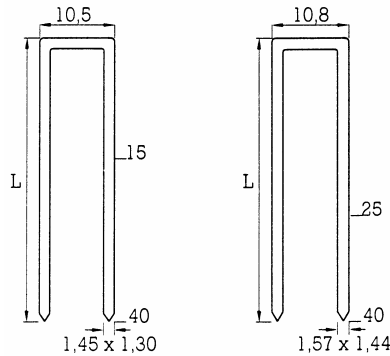
## Pneumatic Stapler Type 14/38-152



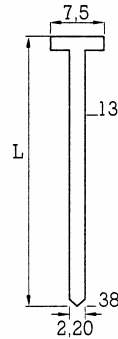
BeA Deutschland  
Befestigungstechnik  
P.O.Box 14 80  
D-22904 Ahrensburg  
Phone: +49 (0) 4102 78-0  
Fax: +49 (0) 4102 78-250  
www.bea-group.com  
e-mail: [info@bea-group.com](mailto:info@bea-group.com)

a division of  
Joh. Friedrich Behrens AG

### Staples type 14 and type 16 (155)



### T-nails



Bezeichnung	L = Length mm
14/15 NK HZ	15
14/18 NK HZ	18
14/21 NK HZ	21
14/25 NK HZ	25
14/28 NK HZ	28
14/30 NK HZ	30
14/32 NK HZ	32
14/35 NK HZ	35
14/38 NK HZ	38
14/40 NK HZ	40

For metal sheet roof connection :

14/25 NR HZ DP	25
----------------	----

16/25 NK HZ (155/25)	25
16/30 NK HZ (155/30)	30
16/32 NK HZ (155/32)	32
16/35 NK HZ (155/35)	35
16/38 NK HZ (155/38)	38
16/40 NK HZ (155/40)	40

T 13 BK – T 18 BK	13 - 18
T 32 BK – T 38 BK	32 - 38

For T-nails in length from 13 – 18mm we recommend the back nose assembly set.  
T- nails are also available in NK and NKS.

Other lengths and finishes are also available on request.

#### Explanations:

NK = galvanized steel	BK = bright steel	LM = aluminium	HZ = resin coated
NKS = galvanized steel, extra hard	BKS = bright steel, extra hard	NR = stainless steel, material. 1.4401	DP = divergent point
NKH = galvanized steel, hard	MS = brass	RF = rust resistant, material 1.4301	SA = step cut